

B39 BLUELIFT

The BLUELIFT Series

The new line of quality aerial lifts from the Italian manufacturer Bluelift s.r.l., provide unique track-mounted (crawler) boom lift solutions. Innovation, quality, superior design, and above all safety are trademarks of Bluelift s.r.l.

With working heights from 39 to 72 feet, in and outdoor use and access through a single or double door. We now offer the BlueLifts with lithium batteries and combustion motor combined. This combination is a first on the market for this size of compact lifts! The BLUELIFT series appeals to a broad range of applications: Rental industry (residential as well as commercial), window cleaners, building maintenance, tree care industry and HVAC operators to mention a few.

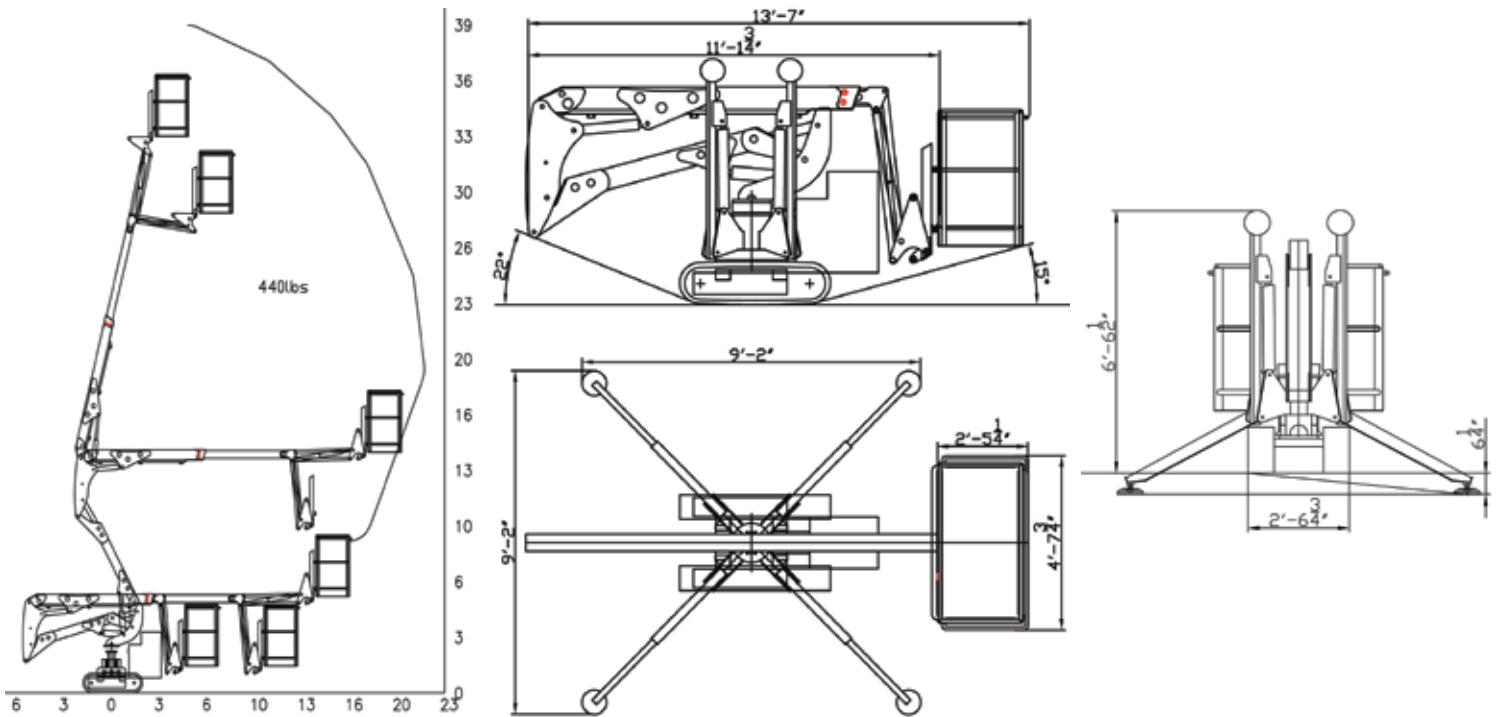
- Available in 4 models from 39ft - 72ft
- Now Available - Lithium battery and motor
- Pass through a single or double door opening
- Full workheight with 440lbs in the basket
- Remote and wireless control
- 110V to the basket
- Set up on uneven surfaces
- Detachable basket
- FMS (Function Memory System)
- Automatic turret center stop

Model

B39

Working height	39ft
Basket height	33ft
Max outreach	21ft
Basket load	440lbs
Basket dims	4ft7 ³ / ₄ in x 2ft5 ¹ / ₄ in
Basket rotation (opt)	+/-90°
Turret rotation	360°
Height	6ft6 ³ / ₄ in
Length (w/o basket)	11ft1 ³ / ₄ in
Length (w/ basket)	13ft7in
Width (w/o basket)	2ft6 ³ / ₄ in
Footprint	9ft2in
Weight (approx)	4,225lbs
Max pressure, tracks	7.5psi
Max pressure, footplate	65.3psi
Track size (per track)	44in x 6 ¹ / ₂ in
Foot pad size (per pad)	48 ¹ / ₂ sq in
110V drive motor	Standard
Honda, iGX440	Standard
Lithium Battery	Option
Hatz diesel engine	Option

We reserve the right to alterations



B39 BLUELIFT

Standard Equipment

- Automatic stability & outreach control
- Computer controlled (can-bus)
- Basket rotation
- Proportional control of all functions
- Self propelled
- Non marking tracks
- Air/water to the basket
- 110V drive motor
- Honda iGX440 15HP engine
- 360° non cont. turret rotation
- Manual pump for emergency lowering
- Width of only 2ft7in
- 2 person basket
- Full work height with 440lbs in basket
- Space for tools etc in basket
- 110V to the basket
- Remote control

Optional Equipment

- Radio control
- Hatz diesel engine
- Lombardi diesel engine

Additional Specifications

Boom angle	0°/ +75°
Oil tank capacity	8gal
Max windspeed	28mph
Operating speed	0.9mph
Travel speed	0.9mph
Drive gradability	15°/28%
Set-up gradability	5°/9%

